

Item No.	Type	Sub	Part No.	Description	Qty	Unit
013			266424-2	TAPPING SCREW 4X20	6	PC.
014			183N81-4	SWITCH BOX SET	1	SET
015			140F09-7	SWITCH CIRCUIT COMPLETE	1	PC.
		INC.	810D46-0	SWITCH LABEL	1	PC.
016			140F10-2	SWITCH CIRCUIT COMPLETE	1	PC.
		INC.	818A74-1	SWITCH LABEL	1	PC.
017			232575-3	TORSION SPRING 12	1	PC.
018			266424-2	TAPPING SCREW 4X20	2	PC.
019			687124-5	STRAIN RELIEF	1	PC.
020			459908-9	SWITCH BOX	1	PC.
021			620C48-0	INDICATION CIRCUIT COMPLETE	1	PC.
		INC.	8007C8-5	INDICATION LABEL	1	PC.
027			266424-2	TAPPING SCREW 4X20	5	PC.
030			911138-5	PAN HEAD SCREW M4X20	1	PC.
031			459863-5	SWITCH LEVER SUPPORT L	1	PC.
		INC.	931102-0	HEX. NUT M4	1	PC.
032			327424-8	SWITCH LEVER	1	PC.
033			459856-2	SWITCH LEVER SUPPORT R	1	PC.
		INC.	931102-0	HEX. NUT M4	1	PC.
034			911138-5	PAN HEAD SCREW M4X20	1	PC.
035			183P40-0	LEVER BOX SET	1	SET
		INC.	8007C6-9	INDICATION LABEL	1	PC.
036			459857-0	LOCK OFF BUTTON	1	PC.
037			231227-3	COMPRESSION SPRING 15	1	PC.
038			632E26-0	SWITCH UNIT	1	PC.
039			687124-5	STRAIN RELIEF	1	PC.
040			266424-2	TAPPING SCREW 4X20	2	PC.
042			266424-2	TAPPING SCREW 4X20	6	PC.
043			699144-7	POWER SUPPLY CORD UNIT	1	PC.
044			327421-4	HANDLE UPPER	1	PC.
045			252278-3	HEX. CAP NUT M8	1	PC.
046			327422-2	HANDLE LOWER	1	PC.
047			265A62-3	FLAT HEAD BOLT M8X38	1	PC.
048			265A62-3	FLAT HEAD BOLT M8X38	1	PC.
049			252278-3	HEX. CAP NUT M8	1	PC.
050			459905-5	CLAMP	1	PC.
051			921451-3	HEX. BOLT M8X30	2	PC.
052			459905-5	CLAMP	1	PC.
053			921451-3	HEX. BOLT M8X30	2	PC.
054			699142-1	POWER SUPPLY CORD UNIT	1	PC.
055			127504-8	GRASS CATCHER ASSEMBLY	1	PC.
056			140S04-5	BATTERY COVER COMPLETE	1	PC.
		INC.	890381-8	CAUTION LABEL	1	PC.
		INC.	819G10-6	CAUTION LABEL	1	PC.
057			961018-5	STOP RING E-5	1	PC.
058			327536-7	ROD 6	1	PC.
059			643535-4	KEY	1	PC.
060			266404-8	TAPPING SCREW BIND 3X14	1	PC.
061			459851-2	SWITCH LEVER	1	PC.
062			213896-2	O-RING 24	1	PC.
063			459852-0	LOCK LEVER	1	PC.
064			231037-8	COMPRESSION SPRING 7	1	PC.
065			266424-2	TAPPING SCREW 4X20	7	PC.
066			459847-3	COWLING UPPER	1	PC.
067			856P83-2	DLM530 NAME PLATE	1	PC.
068			183N78-3	TERMINAL HOUSING SET	2	SET
		INC.	263005-3	RUBBER PIN 6	8	PC.
069			266424-2	TAPPING SCREW 4X20	6	PC.
070			856P90-5	DLM530 SERIAL NO. LABEL	1	PC.
071			644809-6	TERMINAL	4	PC.
072			266424-2	TAPPING SCREW 4X20	8	PC.
080			266424-2	TAPPING SCREW 4X20	2	PC.

Item No.	Type	Sub	Part No.	Description	Qty	Unit
081			687124-5	STRAIN RELIEF	1	PC.
082			687051-6	STRAIN RELIEF	1	PC.
083			620C46-4	CONTROLLER	1	PC.
084			266424-2	TAPPING SCREW 4X20	2	PC.
085			632P74-5	LEAD UNIT	1	PC.
086			422529-0	SPONGE B	1	PC.
088			422528-2	SPONGE A	1	PC.
089			651444-3	SWITCH 1703.4703	1	PC.
091			266424-2	TAPPING SCREW 4X20	2	PC.
092			687124-5	STRAIN RELIEF	1	PC.
093			687051-6	STRAIN RELIEF	1	PC.
094			911233-1	PAN HEAD SCREW M5X20	4	PC.
095			459848-1	COWLING LOWER	1	PC.
096			319869-4	MOTOR HOUSING UPPER	1	PC.
097			253455-0	WAVE WASHER 19	1	PC.
098			210141-6	BALL BEARING 6000DDW	1	PC.
099			519606-8	ROTOR ASS'Y	1	PC.
		INC.		Item No. 98,100		
100			211387-7	BALL BEARING 6004LLU	1	PC.
101			265B29-7	TAPPING SCREW PT 2X8	2	PC.
102			620B88-2	CONTROLLER B	1	PC.
103			629465-3	STATOR	1	PC.
104			319870-9	MOTOR HOUSING LOWER	1	PC.
105			911691-1	PAN HEAD SCREW M5X70	3	PC.
106			652031-1	PAN HEAD SCREW M3X6	3	PC.
107			911233-1	PAN HEAD SCREW M5X20	4	PC.
108			922441-9	HEX. SOCKET HEAD BOLT M8X25	4	PC.
109			319867-8	MOTOR BRACKET	1	PC.
110			459853-8	BAFFLE PLATE	1	PC.
111			911126-2	PAN HEAD SCREW M4X16	4	PC.
112			240205-2	FAN 170	1	PC.
113			319868-6	BLADE SUPPORT	1	PC.
114			266424-2	TAPPING SCREW 4X20	2	PC.
115			191D52-7	BLADE 530	1	PC.
116			265A69-9	HEX. BOLT M10X35 WITH WG	1	PC.
117			127516-1	MULCHING PLUG ASSEMBLY	1	PC.
		INC.		Item No. 118-121		
118			459884-7	LOCK LEVER	1	PC.
119			231401-3	COMPRESSION SPRING 7	1	PC.
120			459885-5	LOCK LEVER SUPPORT	1	PC.
121			266424-2	TAPPING SCREW 4X20	2	PC.
123			140S00-3	REAR FLAP COMPLETE	1	PC.
		INC.	8007R1-4	CAUTION LABEL	1	PC.
		INC.	8012M8-8	CAUTION LABEL	1	PC.
124			265B20-5	HEX.SOCKET BUTTON HEAD BOLT M8	4	PC.
125			347579-3	HANDLE BRACKET L	1	PC.
126			233597-6	TORSION SPRING 8	1	PC.
127			961018-5	STOP RING E-5	2	PC.
128			327418-3	ROD 6	1	PC.
129			922213-2	H.S.H.BOLT M5X12 WITH WR	3	PC.
130			459877-4	REAR FLAP HOLDER PLATE	1	PC.
131			162692-4	REAR GRIP	1	PC.
132			347578-5	HANDLE BRACKET R	1	PC.
133			451825-9	CLAMP	1	PC.
134			265B20-5	HEX.SOCKET BUTTON HEAD BOLT M8	4	PC.
135			232628-8	TENSION SPRING 16	1	PC.
136			347580-8	CONNECTING ROD	1	PC.
137			941151-9	FLAT WASHER 6	1	PC.
138			252014-7	HEX. LOCK NUT M6-10	1	PC.
139			267216-2	FLAT WASHER 8	1	PC.
140			252014-7	HEX. LOCK NUT M6-10	1	PC.
141			941151-9	FLAT WASHER 6	1	PC.
142			253762-1	FLAT WASHER 8	1	PC.

Item No.	Type	Sub	Part No.	Description	Qty	Unit
147			140S62-1	DECK COMPLETE	1	PC.
		INC.	819G09-1	CAUTION LABEL	1	PC.
148			347582-4	HEIGHT ADJUST PLATE	1	PC.
149			265B20-5	HEX.SOCKET BUTTON HEAD BOLT M8	2	PC.
150			922311-2	HEX. SOCKET HEAD BOLT M6X12	4	PC.
151			313290-9	REAR SHAFT HOLDER COVER	2	PC.
157			922213-2	H.S.H.BOLT M5X12 WITH WR	2	PC.
159			232567-2	TORSION SPRING 9	1	PC.
160			347584-0	SIDE DISCHARGE PLATE	1	PC.
161			327420-6	ROD 8	1	PC.
162			961013-5	STOP RING E-7	1	PC.
163			459886-3	SIDE DISCHARGE COVER	1	PC.
164			922441-9	HEX. SOCKET HEAD BOLT M8X25	2	PC.
165			459870-8	FRONT GRIP	1	PC.
166			459871-6	FRONT COVER	1	PC.
167			459872-4	DECK UNDER COVER	1	PC.
168			266424-2	TAPPING SCREW 4X20	6	PC.
169			265324-3	HEX. FLANGE HEAD BOLT M8X12	1	PC.
170			211247-3	BALL BEARING 6002DDW	1	PC.
171			127513-7	REAR WHEEL ASSEMBLY	1	PC.
172			211247-3	BALL BEARING 6002DDW	1	PC.
178			911213-7	PAN HEAD SCREW M5X12	2	PC.
179			459867-7	WHEEL CAP	1	PC.
180			911213-7	PAN HEAD SCREW M5X12	3	PC.
181			327435-3	REAR SHAFT HOLDER	1	PC.
183			162689-3	REAR SHAFT	1	PC.
184			922311-2	HEX. SOCKET HEAD BOLT M6X12	2	PC.
185			162694-0	HEIGHT ADJUST LEVER COMPLETE	1	PC.
186	1		327435-3	* REAR SHAFT HOLDER	1	PC.
	2		327435-3	* REAR SHAFT HOLDER R	1	PC.
188			911213-7	PAN HEAD SCREW M5X12	3	PC.
189			459867-7	WHEEL CAP	1	PC.
190			911213-7	PAN HEAD SCREW M5X12	2	PC.
195			211247-3	BALL BEARING 6002DDW	1	PC.
196			127513-7	REAR WHEEL ASSEMBLY	1	PC.
197			211247-3	BALL BEARING 6002DDW	1	PC.
198			265324-3	HEX. FLANGE HEAD BOLT M8X12	1	PC.
203			265324-3	HEX. FLANGE HEAD BOLT M8X12	1	PC.
204			211247-3	BALL BEARING 6002DDW	1	PC.
205			127514-5	FRONT WHEEL ASSEMBLY	1	PC.
206			211247-3	BALL BEARING 6002DDW	1	PC.
207			162688-5	FRONT SHAFT	1	PC.
208			211247-3	BALL BEARING 6002DDW	1	PC.
209			127514-5	FRONT WHEEL ASSEMBLY	1	PC.
210			211247-3	BALL BEARING 6002DDW	1	PC.
211			265324-3	HEX. FLANGE HEAD BOLT M8X12	1	PC.
212			341462-6	PLATE	2	PC.
213			266424-2	TAPPING SCREW 4X20	4	PC.
215			422533-9	GROMMET	1	PC.
216			459907-1	HANDLE COVER	1	PC.
217			459907-1	HANDLE COVER	1	PC.
218			327418-3	ROD 6	1	PC.
219			961018-5	STOP RING E-5	2	PC.
220			412412-9	PROTECTIVE SHIELD HOLDER	1	PC.
221			422540-2	PROTECTIVE SHIELD	1	PC.
222			265B00-1	TAPPING SCREW FLANGE 4X12	4	PC.
224			961059-1	* RETAINING RING (EXT) S-19 (added)	1	PC.

ACCESSORIES

- Visit www.makita.ca for more accessories information -

A01			327589-6	ROD 6	1	PC.
A02			782210-8	SOCKET WRENCH 17	1	PC.
A03			782212-4	SOCKET WRENCH 13	1	PC.
A04			459887-1	SIDE DISCHARGE MOUTH	1	PC.

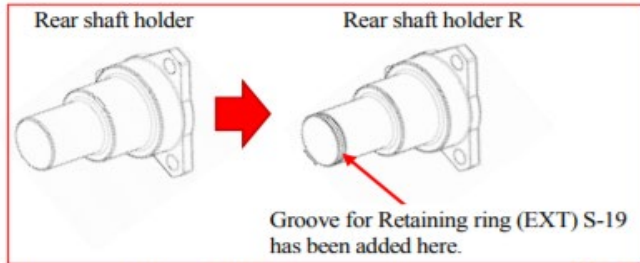
Item No.	Type	Sub	Part No.	Description	Qty	Unit
A05			450128-8	BATTERY COVER	1	PC.
A06			---	BATTERY CHARGER	1	PC.
A07			---	18V LI-ION BATTERY	2	PC.

SERVICE CHANGES

1. Changes on Rear Shaft Holder

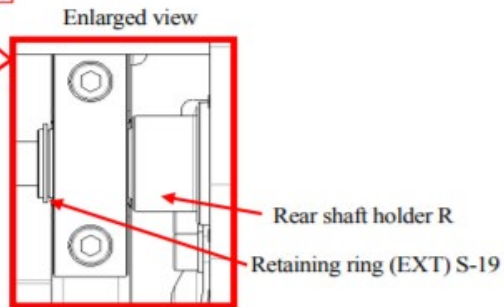
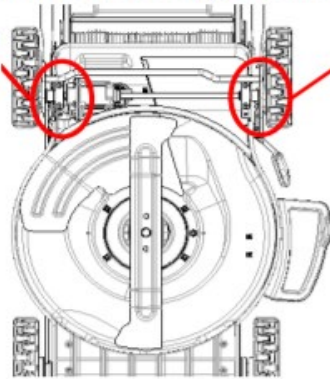
Item No.	Description	Type 1	Type 2
186	REAR SHAFT HOLDER R	327435-3	313368-6
224	RETAINING RING (EXT) S-19	-----	961059-1

Above parts are completely interchangeable as a set.



Two pieces of Rear shaft holders are used.
Only one piece on front right has been changed as shown above.

Rear shaft holder on front left remains the same.

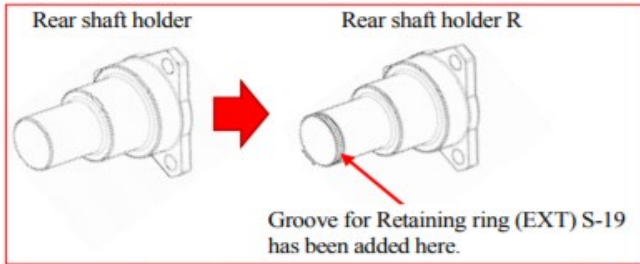


SERVICE CHANGES

1. Changes on Rear Shaft Holder

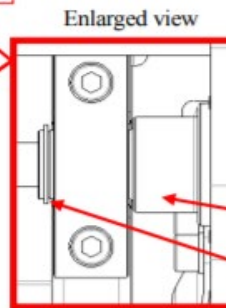
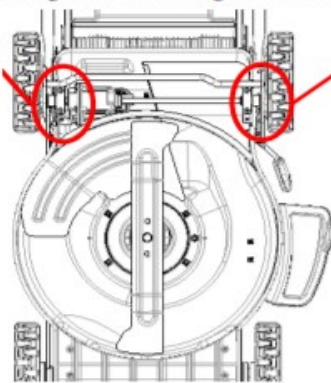
Item No.	Description	Type 1	Type 2
186	REAR SHAFT HOLDER R	327435-3	313368-6
224	RETAINING RING (EXT) S-19	-----	961059-1

Above parts are completely interchangeable as a set.



Two pieces of Rear shaft holders are used.
Only one piece on front right has been changed as shown above.

Rear shaft holder on front left remains the same.



Rear shaft holder R
Retaining ring (EXT) S-19